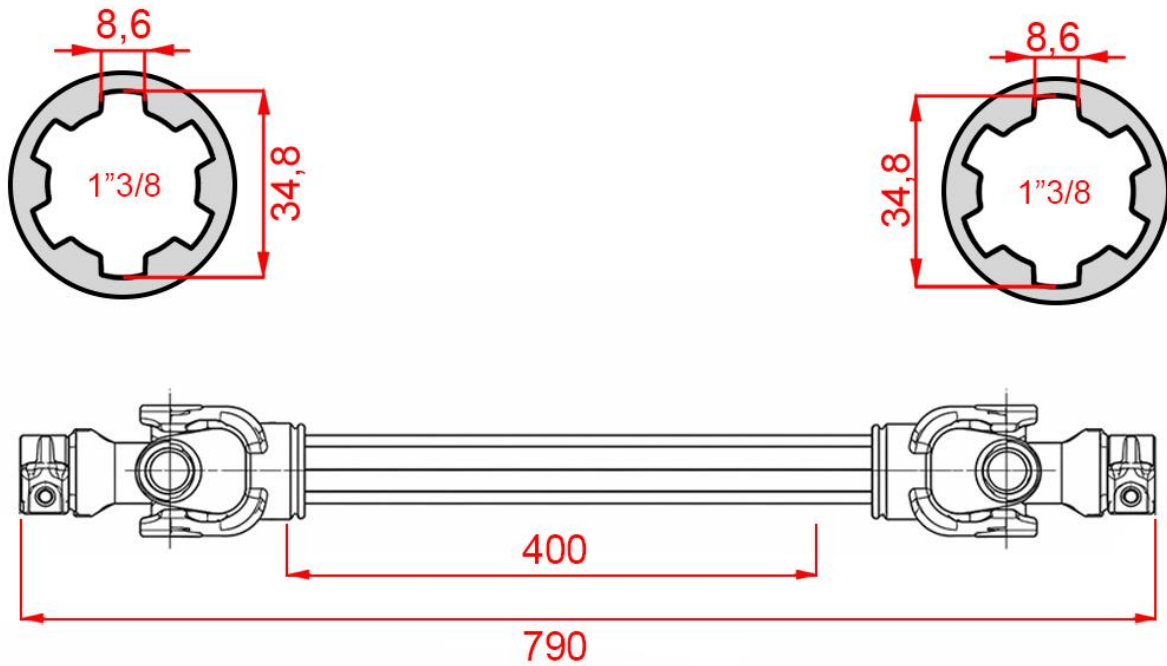


## DATA SHEET – DIMENSIONS

### ECO PTO SHAFT 790mm 35-60HP STANDARD



MIN. LENGHT (mm)	STANDARD	FOR TRACTORS (HP)	CROSS (mm)
790	CE 2138	35 - 60	24 x 62